

AgieCharmilles wire EDM's + System 3R tooling

Ledger for

EconoRulers

Older machines

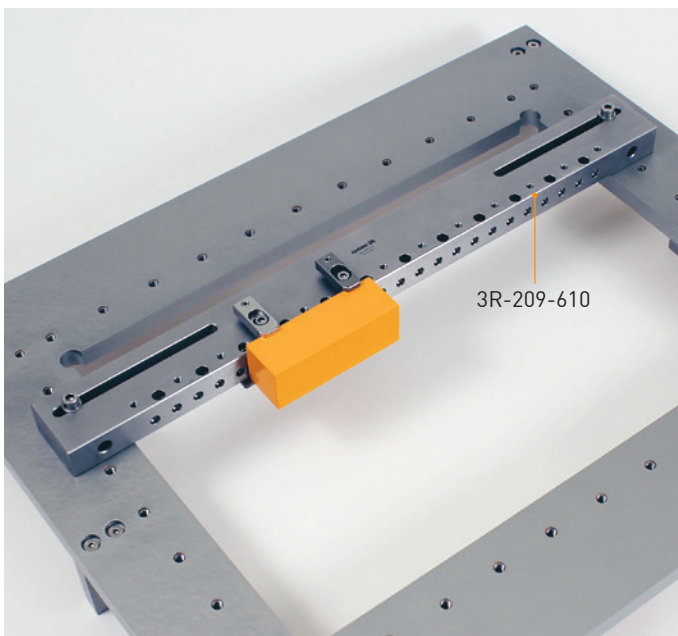


AgieCharmilles

EconoRulers are supplied by kits. For more info, look for the various TPS-sheets covering the various 3R-209-xxx kits and accessories. The EconoRulers come by four different lengths: L=350, 610, 860 and 960 mm.

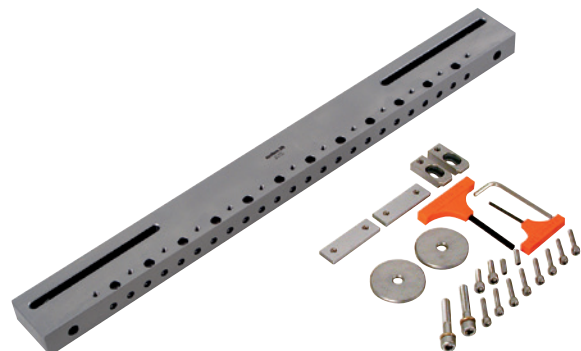
Model	C-C X	Table X	3R-209-xxx	Overhang X*		C-C Y	Table Y	3R-209-xxx	Overhang Y*
Progress VP2 (yr2014-2021)	469	700	610	-45		369	450	610	80
Progress VP3 (yr2014-2021)	619	850	860	5		469	550	610	30
Progress VP4 (yr2014-2021)	919	1240	960	-140		669	800	860	30

* Overhang means a stick-out of EconoRuler that may collide with tankwall (only valid if value is positive and box is colored orange). In order to solve this risk of collision, it may require the EconoRuler to be cut off.



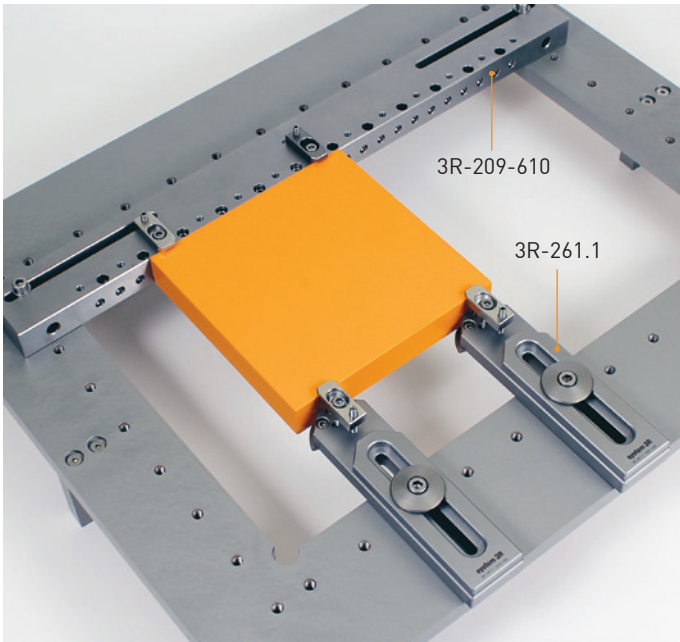
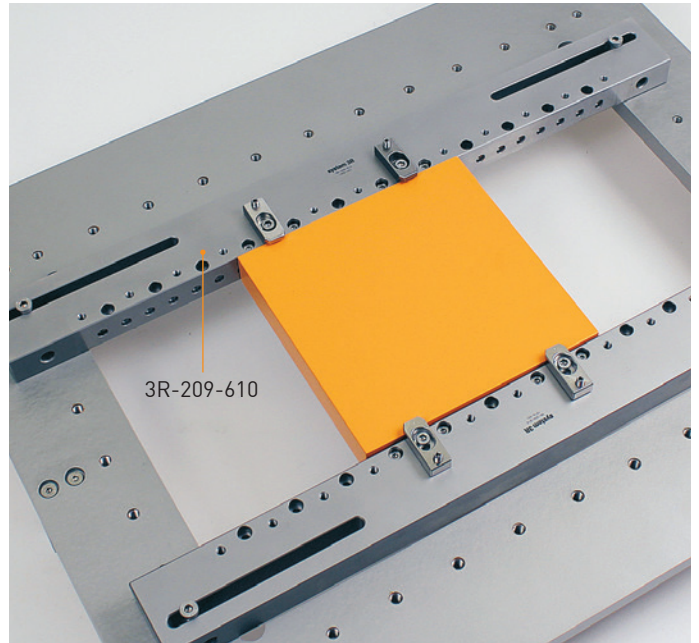
EconoRuler kit, 3R-209-XXX.1

Note: There are four different kits to choose between. 350 mm, 610 mm, 860 mm or 960 mm EconoRuler length.



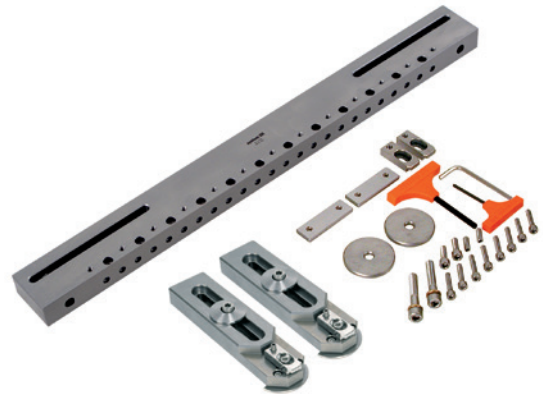
EconoRuler kit, 3R-209-XXX.2

Note: There are four different kits to choose between.
350 mm, 610 mm, 860 mm or 960 mm EconoRuler length.



EconoRuler kit, 3R-209-XXX.3

Note: There are four different kits to choose between.
350 mm, 610 mm, 860 mm or 960 mm EconoRuler length.



EconoRuler kit, 3R-209-XXX.4

Note: There are four different kits to choose between.
350 mm, 610 mm, 860 mm or 960 mm EconoRuler length.

